

ST. TAMMANY PARISH COUNCIL

ORDINANCE

ORDINANCE CALENDAR NO: 5801 ORDINANCE COUNCIL SERIES NO: _____

COUNCIL SPONSOR: MR. TOLEDANO PROVIDED BY: COUNCIL OFFICE

INTRODUCED BY: MR. THOMPSON SECONDED BY: MR. DEAN

ON THE 4 DAY OF MAY , 2017

ORDINANCE ESTABLISHING A NO PARKING ZONE ON CERES ST. (4-E-73). (WARD 4, DISTRICT 5)

WHEREAS, St. Tammany Parish is charged with protecting the safety and welfare of citizens of the Parish.

THE PARISH OF ST. TAMMANY HEREBY ORDAINS: that

SECTION I: A "No Parking" zone is created on Ceres St. (4-E-73) as per the attached from the St. Tammany Parish Department of Engineering.

SECTION II: The Parish Department of Public Works is directed to post the appropriate signs at these locations.

REPEAL: All ordinances or parts of Ordinances in conflict herewith are hereby repealed.

SEVERABILITY: If any provision of this Ordinance shall be held to be invalid, such invalidity shall not affect other provisions herein which can be given effect without the invalid provision and to this end the provisions of this Ordinance are hereby declared to be severable.

EFFECTIVE DATE: This Ordinance shall become effective fifteen (15) days after adoption.

MOVED FOR ADOPTION BY: _____ SECONDED BY: _____

WHEREUPON THIS ORDINANCE WAS SUBMITTED TO A VOTE AND RESULTED IN THE FOLLOWING:

YEAS: _____

NAYS: _____

ABSTAIN: _____

ABSENT: _____

THIS ORDINANCE WAS DECLARED DULY ADOPTED AT A REGULAR MEETING OF THE PARISH COUNCIL ON THE 1 DAY OF JUNE , 2017 ; AND BECOMES ORDINANCE COUNCIL SERIES NO _____.

STEVE STEFANCIK, COUNCIL CHAIRMAN

ATTEST:

THERESA L. FORD, COUNCIL CLERK

PATRICIA P. BRISTER, PARISH PRESIDENT

Published Introduction: APRIL 26 , 2017

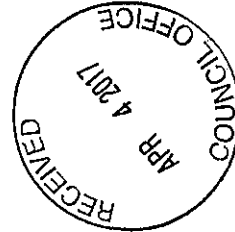
Published Adoption: _____, 2017

Delivered to Parish President: _____, 2017 at _____

Returned to Council Clerk: _____, 2017 at _____



ST. TAMMANY PARISH
PATRICIA P. BRISTER
PARISH PRESIDENT



Date: March 29, 2017

To: Joey Lobrano
Right Of Way Coordinator
Department Of Public Works

From: Jay Watson, P.E.
Development Engineer

Re: District 5
Project 17-018
Ceres St. 4-E-73
2-NO PARKING (Right Arrow) signs
2-NO PARKING (Left Arrow) signs

The Department of Planning and Development recommends the installation of Signage to be installed in District 5.

1. Install NO PARKING (Left Arrow) sign on Ceres St. as indicated on map.
2. Install NO PARKING (Right Arrow) sign on Ceres St. as indicated on map.
3. Install NO PARKING (Left Arrow) sign on Ceres St. as indicated on map.
4. Install NO PARKING (Right Arrow) sign on Ceres St. as indicated on map.

cc. Councilman Rykert O. Toledano, Jr.
Theodore C. Reynolds
Michael Spiehler

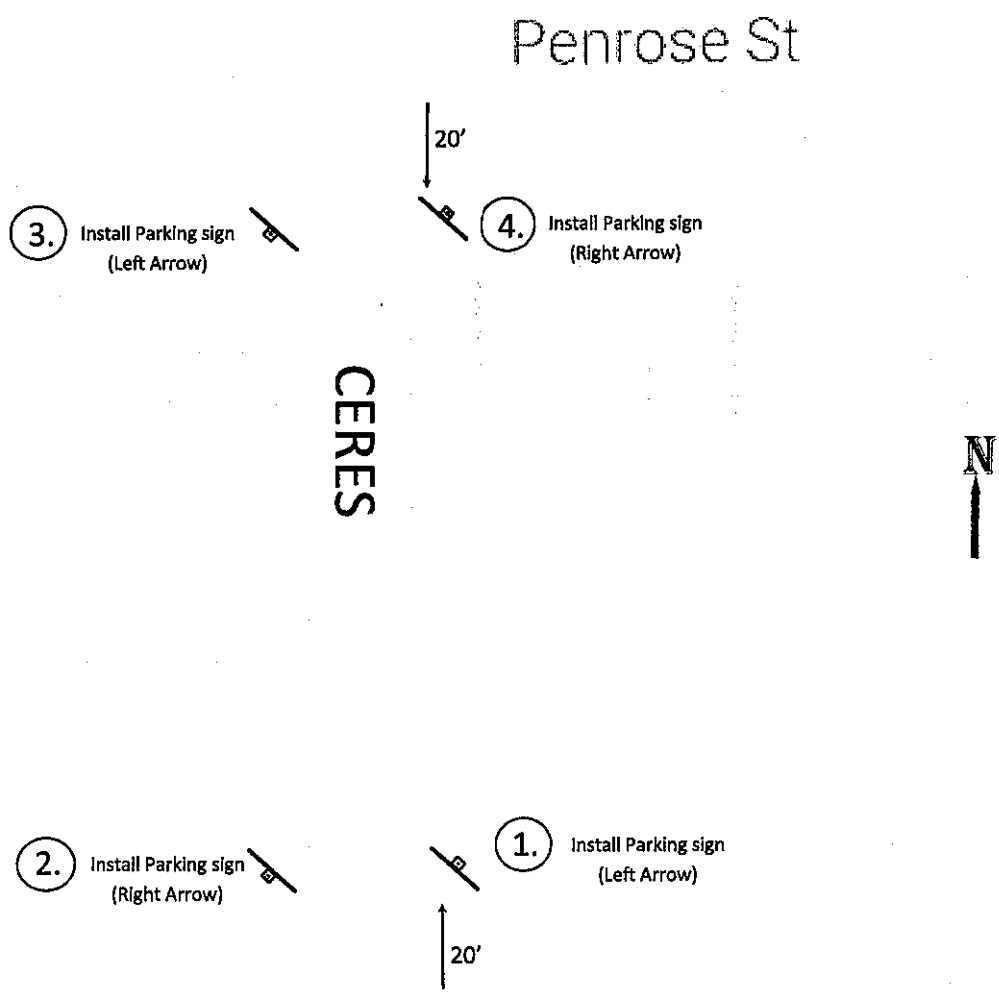
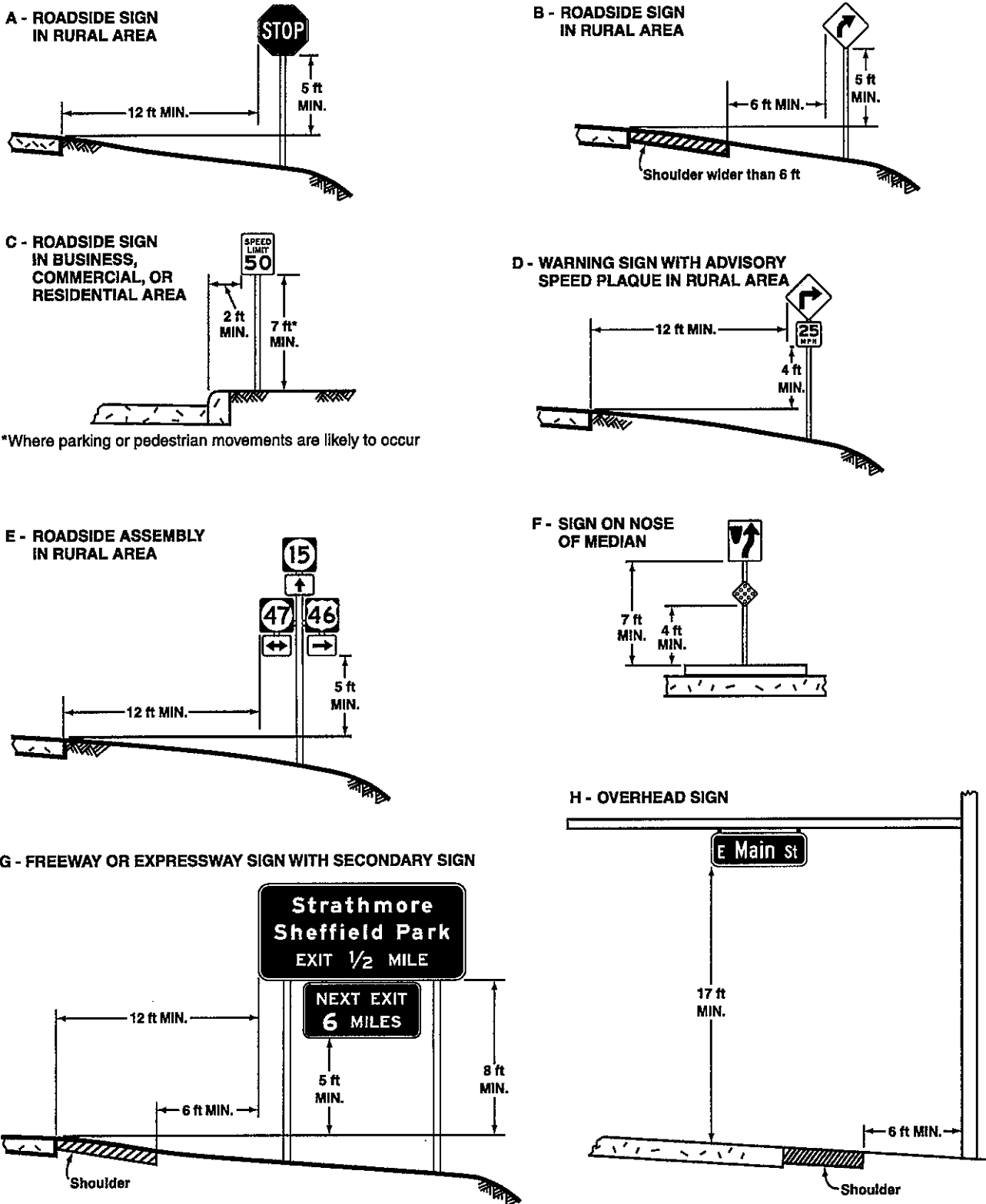
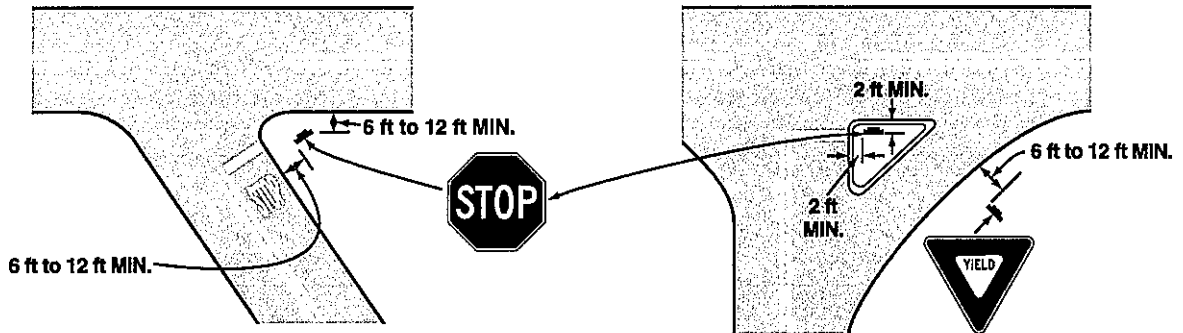


Figure 2A-2. Examples of Heights and Lateral Locations of Sign Installations



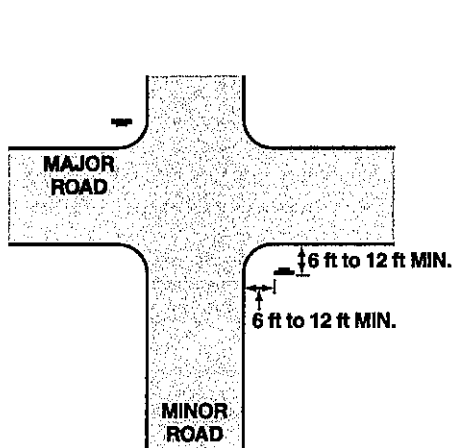
Note:
See Section 2A.19 for reduced lateral offset distances that may be used in areas where lateral offsets are limited, and in business, commercial, or residential areas where sidewalk width is limited or where existing poles are close to the curb.

Figure 2A-3. Examples of Locations for Some Typical Signs at Intersections

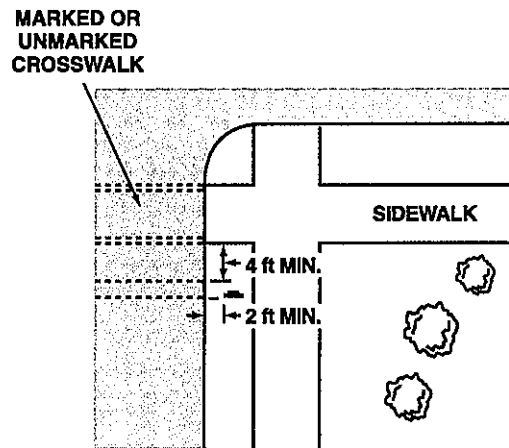


A - ACUTE ANGLE INTERSECTION

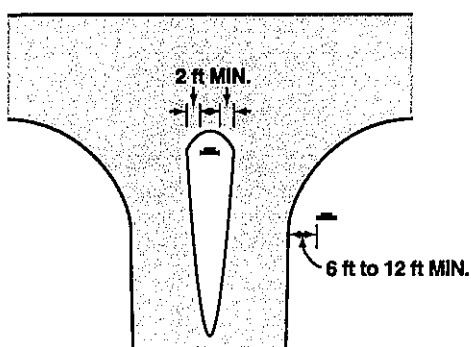
B - CHANNELIZED INTERSECTION



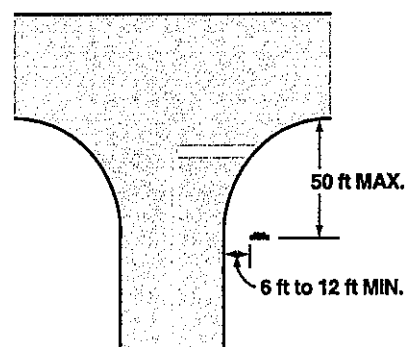
C - MINOR CROSSROAD



D - URBAN INTERSECTION



E - DIVISIONAL ISLAND



F - WIDE THROAT INTERSECTION

Note: Lateral offset is a minimum of 6 feet measured from the edge of the shoulder, or 12 feet measured from the edge of the traveled way. See Section 2A.19 for lower minimums that may be used in urban areas, or where lateral offset space is limited.